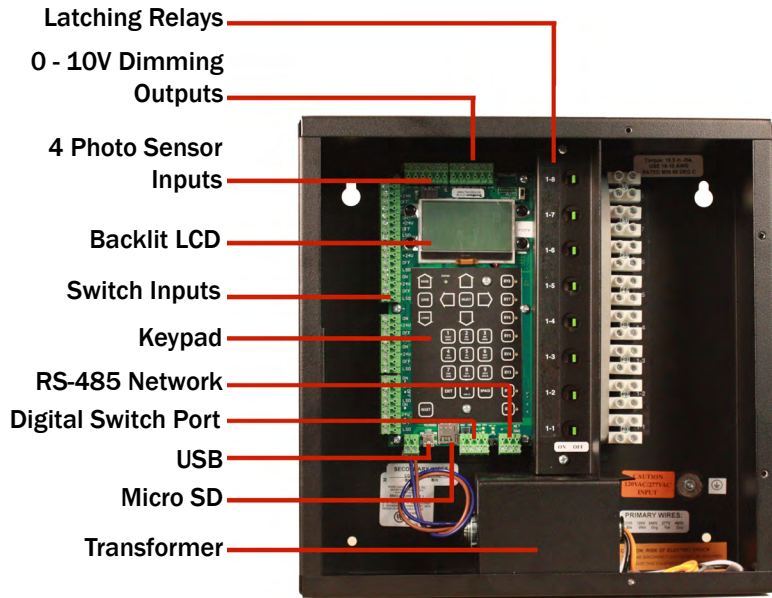


TANDEM

INTERIOR / EXTERIOR LIGHTING CONTROL SYSTEM

R-Series

Relay Based



APPLICATIONS

- Offices
- Schools
- Universities
- Warehouses
- Courtyards
- Lobbies
- High Rise
- Parking Lots
- Retail Outlets
- Airports
- Manufacturing Facilities

FEATURES

- Specify 8, 16, 24, 32, 40 or 48 relays
- Specify 4, 8, 12, 16, 20, 24 0 - 10V Dimming Outputs
- RS-485 Network with multiple Tandem Panels
- 4 enclosure sizes available
- Pre-programmed control strategies
- PLC Designer Software Interface available
- Graphic interface with integral keypad
- Reliable 30A mechanically latching relays
- Daylight savings time capable
- Multiple scheduling options - Normal Time, Astro Time, Open/Close Time
- Special holiday selection capable
- Up to 16 CAN bus digital switch stations
- Up to 48 switch inputs for low voltage switches, occupancy sensors or other dry-contact inputs
- 4 analog inputs for PLC Sensors
- Micro SD (2GB) card for data storage/update

DESCRIPTION

The Tandem is an all-in-one lighting control system that allows you to specify 8, 16, 24, 36, 40 or 48 relays with the corresponding dimming outputs of 4, 8, 12, 16 20 or 24, in one enclosure. Best of all, the Tandem comes loaded with many of the standard features you'd expect to find only in much more expensive systems.

Standard features that make Tandem easy in the start-up and trouble-free over the long haul. You can count on the Tandem to work perfectly in almost any lighting control situation including one that would need a network of Lighting control panel.

You can utilize the many features of Bantam in almost any application that needs an off-the-shelf solution for complex lighting control. Select one of many pre-loaded profiles, created to enable you to quickly select and launch this system with minimal button pushing or program with a PC on the included PLC's Designer Interface.

The Tandem, from PLCBuildings, is ideal for most contractors. The installation is fast and efficient because everything that's needed is already built-in. Feature packed, easy to install and extremely versatile, the Tandem will fast become your favorite lighting control system for use in almost any application.

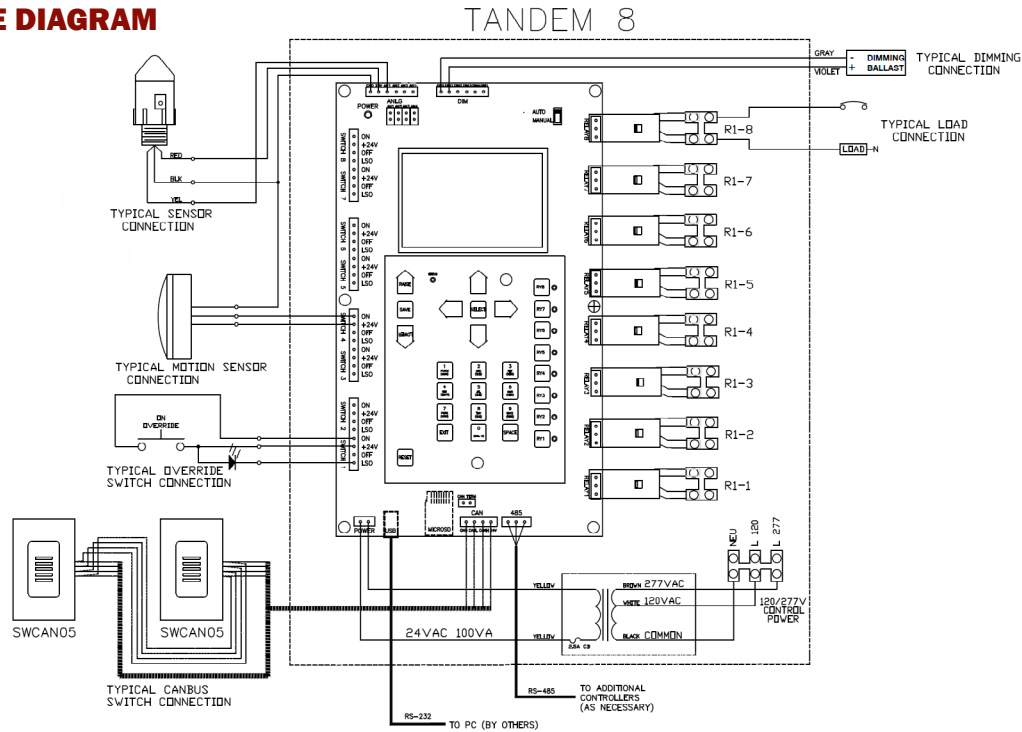
Project	
Location	

TECHNICAL DATA - TANDEM

Electrical Control Power:	Primary	120/277VAC, 50VA
	Low Voltage	24VAC 1A
Relay Type:		SPST latching with manual override lever
Relay Rating:	Tungsten	20A @ 277VAC
	Ballast	30A @ 347VAC
	Resistive	30A @ 347VAC
Relay Terminals:		#20 - #8AWG
Switch Types:		Low Voltage Switches
Switch Inputs:		Up to 48 dry contacts monitored by 24VDC
		Single Momentary Pushbutton
		Dual ON/OFF Momentary Pushbutton
		Single RTC Momentary Toggle
		Occupancy Sensor
Relay Terminals:		Four Selectable Channels
		1 - 10VDC for PLCsensors CES Sensors
		4 - 20mA for PLCsensors MAS Sensors
		0-10VDC
Relay Terminals:		500ft maximum
Relay Terminals:		16 CANbus Addresses
Relay Terminals:		1,640ft maximum
Relay Terminals:		RS-485
Relay Terminals:		USB 2.0 with Mini-B Connector
Relay Terminals:		Micro SD card
Relay Terminals:		Hand/Auto override switch
Relay Terminals:		NEMA 1
Relay Terminals:		(8) 12"H x 12"W x 4.25"D, (16) 21"H x 12"W x 4.25"D,
Relay Terminals:		(24/32) 24"H x 20"W x 4.25"D, (40/48) 33"H x 20"W x 4.25"D
Relay Terminals:		32-125°F (0 to 50°C)
Relay Terminals:		UL508A listed
Relay Terminals:		RoHS, California Title 24



ONE-LINE DIAGRAM



ORDERING INFORMATION

If you have any questions, please call us toll-free at 1-866-998-5483

RT - - 1 - U
 Relay - 08, 16, 24, 32, 40, 48

3101 111th Street SW Suite F Everett, WA 98204
 425-353-7552 Fax: 425-353-3353
 www.plcmultipoint.com
 www.plcbuildings.com



FM 580275