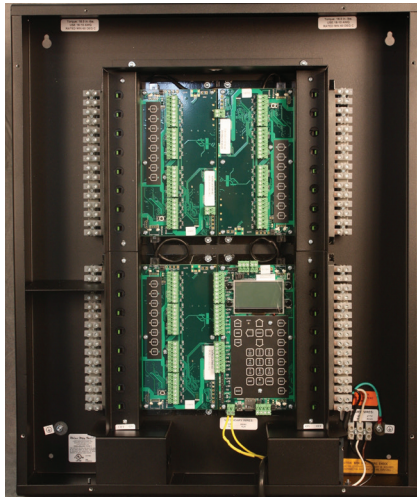


BANTAM
INTERIOR / EXTERIOR
Lighting Control System

APPLICATIONS

- Courtyards
- Lobbies
- Offices
- High Rise Office Buildings
- Parking Lots
- Retail Outlets
- Airports
- Manufacturing Facilities

- 4 Photo Sensor Inputs
- Backlit LCD
- 8 Latching Relays
- 8 Switch Inputs
- Keypad
- Digital Switch Port
- USB
- Micro SD Transformer



PROJECT	
LOCATION	

FEATURES

- Specify 8, 16, 24, 32, 40 or 48 relays
- 4 enclosure sizes available
- Pre-programmed control strategies
- Graphic interface with integral keypad
- Reliable 20A mechanically latching relays
- Multiple scheduling options - Normal Time, Astro Time, Open/Close Time
- Daylight savings time capable
- Special holiday selection capable
- Up to 16 CAN bus digital switch stations
- Up to 48 switch inputs for low voltage switches, occupancy sensors or other dry-contact inputs
- 4 analog inputs for PLC Sensors
- Micro SD (2GB) card for data storage/update

DESCRIPTION

The Bantam is an all-in-one lighting control system that allows you to specify 8, 16, 24, 36, 40 or 48 relays, in one enclosure. Best of all, the BantamX comes loaded with many of the standard features you'd expect to find only in much more expensive systems.

The Bantam, from PLCBuildings, is ideal for most contractors. The installation is fast and efficient because everything that's needed is already built-in. Standard features that make Bantam easy in the start-up and trouble-free over the long haul. You can count on the Bantam to work perfectly in almost any lighting control situation that doesn't need a network.

You can utilize the many features of Bantam in almost any application that needs an off-the-shelf solution for complex lighting control. Select one of many pre-loaded profiles, created to enable you to quickly select and launch this system with minimal button pushing.

Feature packed, easy to install and extremely versatile, the Bantam will fast become your favorite lighting control system for use in almost any application. Start with 8 relays and the capabilities for daylight harvesting, scheduling and occupancy sensing. Then you add more relays, 8 at a time, to suit any size application you need it for.

TECHNICAL DATA - BANTAM

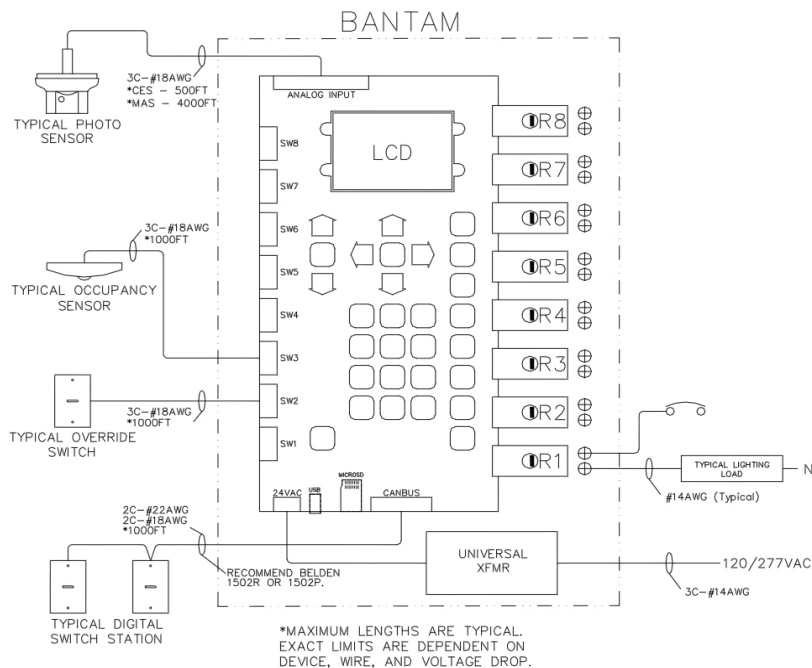
Electrical

Control Power:	Primary	120/277VAC, 50VA
	Low Voltage	24VAC 1A
Relay Type:		SPST latching with manual override lever
Relay Rating:	Tungsten	20A @ 277VAC
	Ballast	20A @ 277VAC and 347VAC
	Resistive	20A @ 277VAC and 347VAC
Relay Terminals:		#20 - #8AWG
Switch Inputs:		Low Voltage Switches
		Up to 48 dry contacts monitored by 24VDC
Switch Types:		Single Momentary Pushbutton
		Dual ON/OFF Momentary Pushbutton
		Single RTC Momentary Toggle
		Occupancy Sensor
Analog Inputs:		Four Selectable Channels
		1 - 10VDC for PLC Sensors CES Sensors
		4 - 20mA for PLC Sensors MAS Sensors
Analog Dataline Length:		500ft maximum
Digital Switches:		16 CAN Bus Addresses
Digital Dataline Length:		1,640ft maximum
Communication:		USB 2.0 with Mini-B Connector
Storage:		Micro SD card
Local Overrides:		Hand/Auto override switch

Mechanical

Enclosure:	Nema 1	
Size:	(8) 12"H x 12"W x 4.25"D	(16) 21"H x 12"W x 4.25"D
	(24/32) 24"H x 20"W x 4.25"D	(40/48) 33"H x 20"W x 4.25"D
Environmental:	32-125°F (0 to 50°C)	
Approvals:	UL508A listed	
Compliance	NEC, RoHS, California Title 24	

ONE-LINE DIAGRAM



ORDERING INFORMATION

RB - - 1 - U

Number of Relays

08, 16, 24, 32, 40, 48