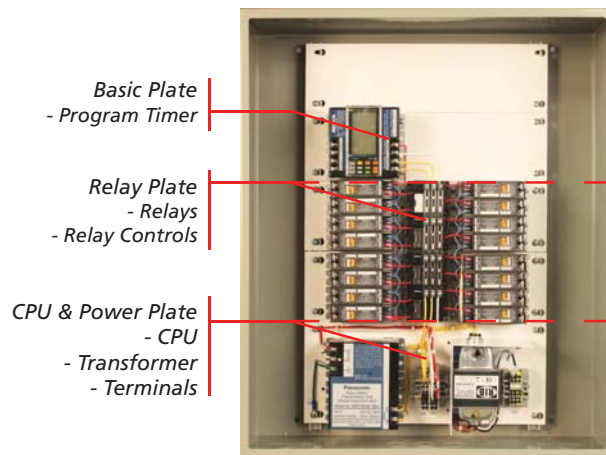


# LPB

## BASIC MULTIPLEX TRANSMISSION Full 2-WAY Remote Lighting Control System

### APPLICATIONS

- Hospitality Facilities
- Office Buildings
- Schools
- Warehouses



*\*Dimmer Plate\**  
(not shown, optional)

PROJECT	
LOCATION	

### FEATURES

- On / Off control of lighting and other electrical loads using mechanically latching relays
- Controls Individual, Dimmer, Group, and Pattern functions
- EEPROM memory storage of Groups and Patterns eliminates need for battery backup
- Automatic Daylight Savings Time function
- Provides Off delay and On Timer options for Individual and Group functions
- LCD display Timer Unit system level device for scheduling loads on daily, weekly, monthly or yearly basis up to 30 separate channels
- IR Address setting unit for switches and relays
- IR Programming unit sets Patterns and Groups
- Compliant with California Title 24
- 2-year warranty

### DESCRIPTION

The LPB Series is the "Basic" version of PLC-Multipoint's multiplex transmission Full-2Way remote lighting control system. It uses just two 24 V signal wires for all of the switches on a network, and controls lighting using mechanically latching relays. This reduces the number of wires needed compared to conventional control wiring.

The system is cost-effective and easily-configurable with programming and accessories. The CPU can control up to 256 circuits per system, and it is logically capable of turning up to 127 groups of lights on and off in an entire section of any application area. Up to 72 control patterns can be programmed to match work schedules or habits, allowing for maximum occupant satisfaction

while achieving energy and operating cost savings. The programmable timer is easily configurable to match a daily schedule for lights to be automatically turned on and off. Passive infrared motion sensor control is also offered to turn on and off lighting depending on occupancy of a monitored building space. For additional energy savings, indoor daylight sensors are available which respond to the brightness of the environment.

In addition to the capabilities above, this system offers added energy saving possibilities, by adding optional components such as; dimmer controls and a touchscreen display.

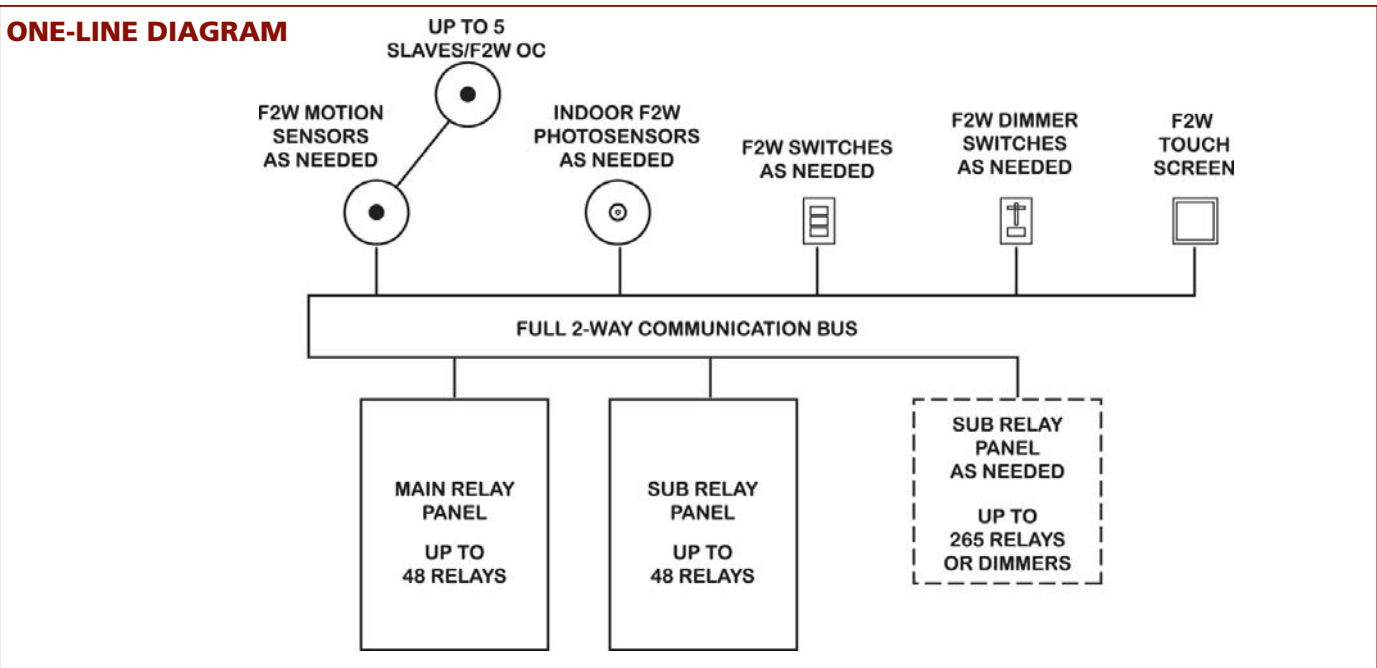
**TECHNICAL DATA - LPB SERIES**

**Input Voltage:** 120 VAC, 277 VAC or 480 VAC  
**Output Zones:** 20 Amp Relay is mechanically latching; Rated up to 277 VAC at 20 A. (8 - 256 points)  
**Relays Electrical Inputs:** Low Voltage: ± 24 VDC reversible polarity (± 24 VAC half-wave), Class II Current: 350 mA  
**Relay Electrical Outputs:** Line Voltage:  
 • 20 A 300 VAC (General Use)  
 • 2400 W 120 VAC (Tungsten)  
 • 20 A 300 VAC (Ballast)  
 • 14,000 amps short circuit interrupting current  
**CPU Signal Voltage:** ± 24 V  
**Signal Methods:** Cyclic time sharing multiplex transmission with cut-in signal method  
**Signal Wires:** Two wires with no polarity  
**Signal Transmission Distance:** 1,600 ft max. with 18 awg wire  
**Extension of Transmission Distance:** Max. 9,800 ft, Total of 29,500 ft (with use of 5 amplifiers)  
**Power Failure Backup:** Flash Memory for Groups/Patterns  
**Program Timer Unit:** Automatic Daylight Savings Time Function  
**Approvals:** Compliant with California Title 24

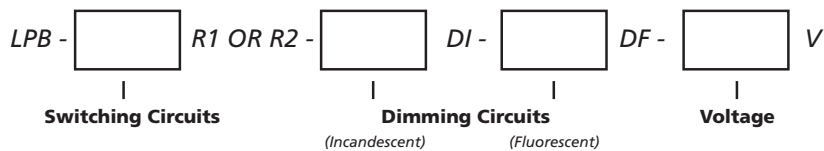
**Enclosure Dimensions:** NEMA-1 Surface Mount Enclosure  
 24"H x 20"W x 6"D  
 36"H x 20"W x 6"D  
 48"H x 20"W x 6"D

**Temperature Range:** 32° to 140°F (0° to 40°C)

**Input Option Devices:** Panasonic Daylight Sensors, Motion Detectors, Switches and Touchscreen display



**ORDERING INFORMATION**



ACCESSORIES  ————— See LP-Series Accessories Sheet (Listed Separately)