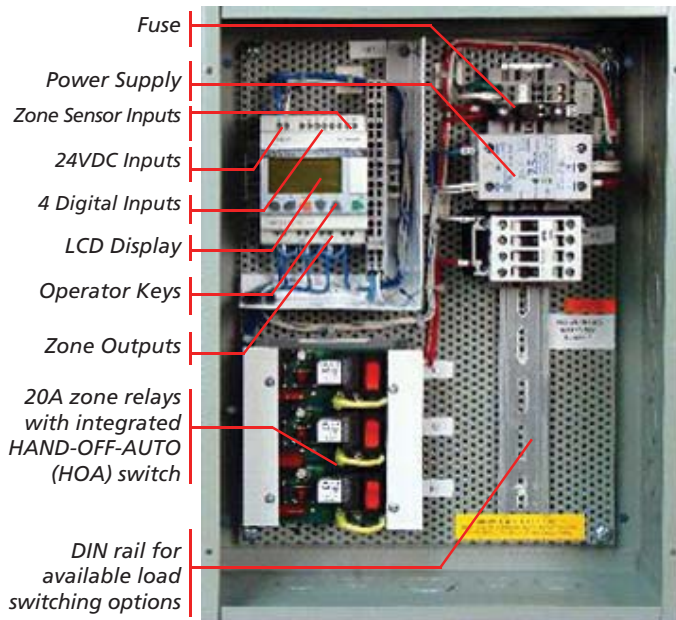


LCM-ASTRO

EXTERIOR ASTRONOMICAL TIME CLOCK
Lighting Control System

APPLICATIONS

- Canopy Lighting
- Exterior Lighting
- Security Lighting
- Sign Lighting



PROJECT	
LOCATION	

FEATURES

- 2 or 3 individual zones, each with available Photo Control, Time Clock Scheduling and Remote Switching
- Factory-preprogrammed, field-configurable controller offers 8 configuration modes per zone
- Menu-driven LCD screens and front control buttons allow for easy adjustment of ON and OFF set points
- Accumulated run time hours are logged
- 20A zone relays include integrated HAND-OFF-AUTO (HOA) switches
- Load switching options are available with factory wired 4- or 8-pole 20A lighting contactors
- Base panel accommodates up to one photodiode sensor per zone, available in Indoor, Outdoor, Atrium and Skylight configurations
- Photo mode can be configured for setup (no timers) or auto (full program)
- Photo sensor input time delay prevents intermittent or false switching
- Adjustable hold-on timer prevents HID lighting from short-cycling
- Time Clock configurable as 7-day with two ON /OFF events per day; or astronomical sunrise, sunset sequence
- Compliant to Title 24
- 2-year warranty

DESCRIPTION

The LCM-ASTRO series control panel is a cost-effective and easily configurable stand-alone contactor-based lighting control system with programming specifically optimized for exterior applications. It is capable of supporting 2 or 3 zones with photo, astronomical time clock, remote switching and timed override.

A maximum of four (4) contactors can be accommodated in each 2- or 3-zone main panel. In addition, up to twelve (12) contactors are available in each expansion panel. Contactors are available in 4- and 8-pole configurations.

The four line LCD screen prompts the user to enter photo sensor set point limits and time schedules which are saved in flash memory. Adjustments to the settings and schedules can be made with pushbuttons on the controller face.

Timed functions are controlled by an internal real-time astronomical clock. The battery-backed clock is accurate to one second per month and can be adjusted for drift. Timed circuits are automatically adjusted for daylight savings time and leap year unless otherwise specified.

The LCM-ASTRO series advantages include stability, versatility, quality, accuracy and the ability to control exterior lighting without using a photosensor. Once mounted, the sensor, power, and lighting loads need only to be wired and the LCM is ready to operate. The system controller has specific application control strategies that are matched with the appropriate sensor to create optimal packaging and system efficiency.

TECHNICAL DATA - LCM-ASTRO

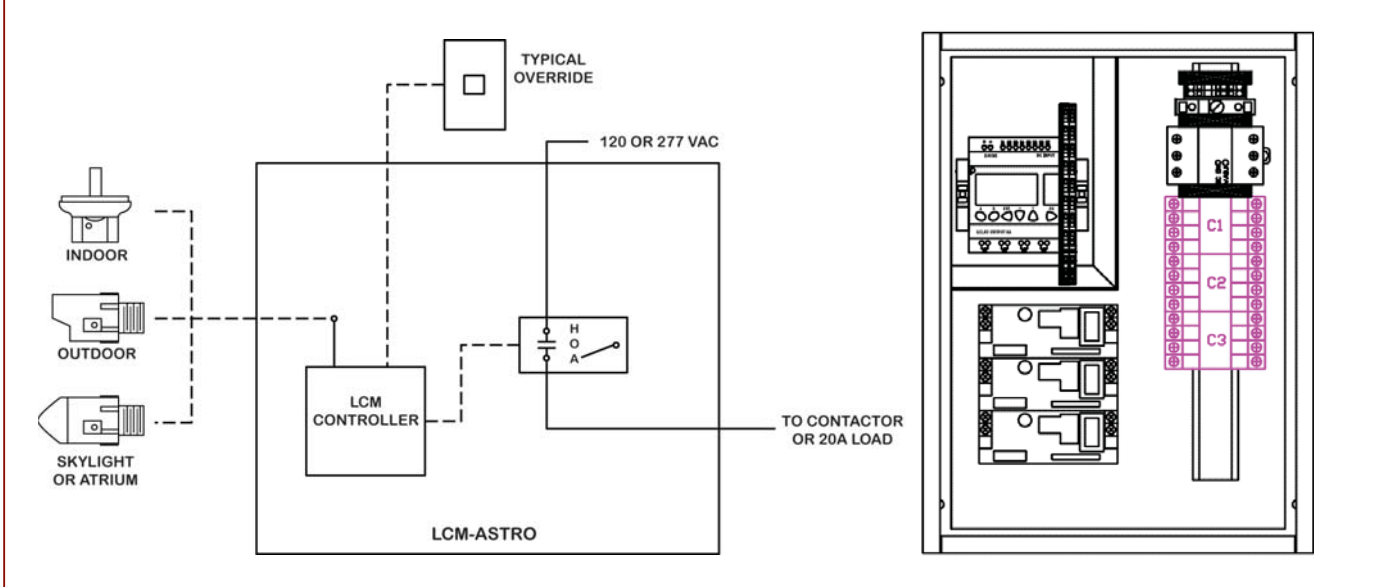
Input Voltage:	120VAC or 277VAC
Output Zones:	Two or Three - zone relays controlling optional 20A (4 or 8 pole) lighting contactors
Control Modes:	Displayed on LCD mode screen: SETUP: Photo set point control - No timers AUTO: Photo sensor control with timers (ON at low, OFF at high set points)
Input Time Delay:	Photo sensor: 60-seconds (setup mode override)
Hold-On-Timer:	Photo sensor: 30-minutes (setup mode override)
Override Switch:	Internal Hand - Off - Auto (HOA), integrated in zone relay
Control Inputs	CES Style 1-10V Photosensor; low voltage momentary ON/OFF Remote Switch(s)
Enclosure Dimensions:	16"H x 12"W x 6"D (NEMA-1 Surface Mount Enclosure)
Temperature Range:	32° to 104°F (0° to 40°C)
Approvals:	Compliant with Title 24; UL508A

Optional AEG Contactor Rating:	
General Purpose:	30A/600V
Lighting Ballast:	30A/ 600V
Tungsten load (general lighting)	20A/277V

ZONE PROGRAMMING CONFIGURATION MODES

Code	Description	Key Application(s)
1	Astronomical Time - Astronomical Clock	Security lighting
2	Exterior - Time Schedule	Canopy lighting
3	Exterior - Astronomical + Time Schedule	Sign lighting
4	Exterior HID - Time Schedule + Remote Switch	General lighting; suitable for HID applications
5	Exterior HID - Astro + Time Schedule + Remote Switch	General lighting; suitable for Morning and Evening exterior lighting
6	Astronomical Time - Astronomical Morning/Evening Offset	Morning and Evening event lighting based around sunrise & sunset astronomical times. Timed general lighting prior to and after sunrise & sunset
7	Exterior - Photo Control	Security lighting (photo sensor only)
8	Exterior - Photo Control + Time Schedule	Canopy lighting (photo sensor and time only)

CONNECTION DRAWING (TYPICAL 3 ZONE)



ORDERING INFORMATION

